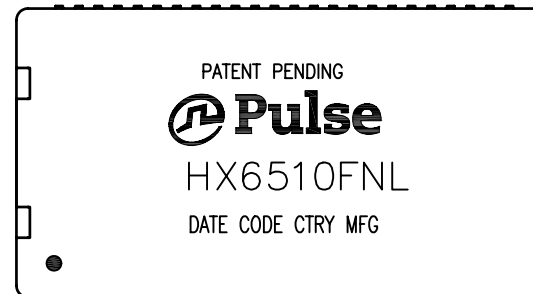


NOTES:

1. ROHS COMPLIANT
2. HEADER: DAP (DIALLYL PHTHALATE) WITH FLAMMABILITY RATING UL 94V-0 OR BETTER.
3. STORAGE TEMPERATURE: -50°C TO +125°C
4. COMPLIANCE TO J-STD:
 - A. J-STD-002: SOLDERABILITY AT 245°C REFLOW PROFILE
 - B. J-STD-020: LEVEL 1, NO MOISTURE SENSITIVE
 - C. J-STD-075: R7, 245°C MAXIMUM THROUGH REFLOW SOLDER
5. TO ORDER TAPE & REEL PACKAGING ADD A "T" SUFFIX TO THE PART NUMBER(i.e HX6510FNL BECOMES HX6510FNLT).

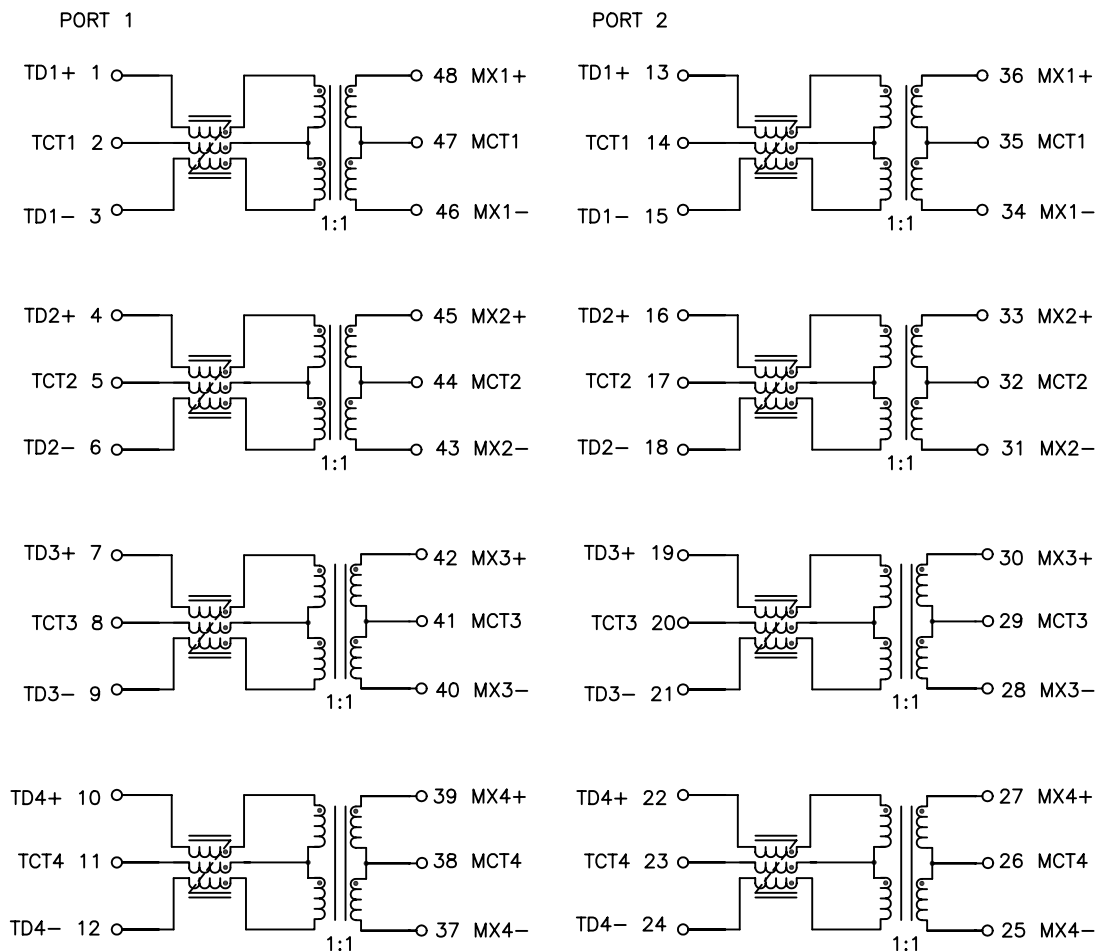


FINAL OUTLINE

© Copyright, 2014. Pulse Electronics Corp. All rights reserved. Pulse confidential & proprietary. (06/26/14)

PRODUCT DESCRIPTION	TLA DRAWING	PS DRAWING	SHEET	PART NO.	DATASHEET REV.
MDL,DUAL,1GPP,1:1,SM,ET,TU	HX6510FNL-10	PS-2747.001-B	1 OF 3	HX6510FNL	A

ELECTRICAL CHARACTERISTICS AT +25°C UNLESS OTHER SPECIFIED
MEETS IEEE 802.3 SPECIFICATION



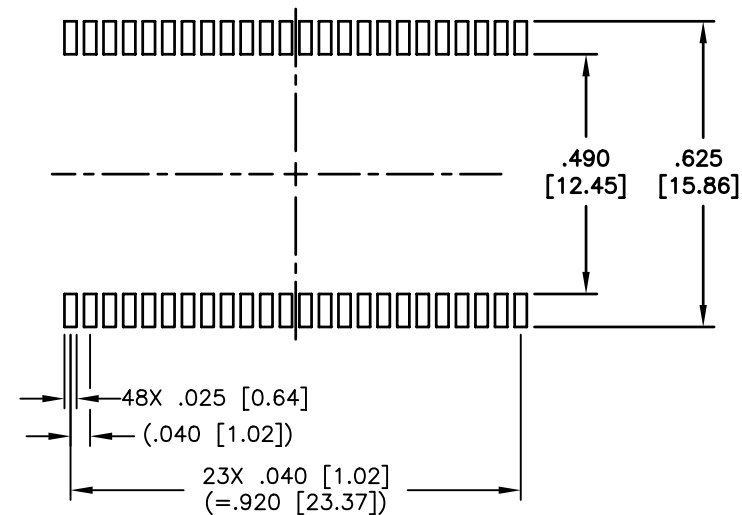
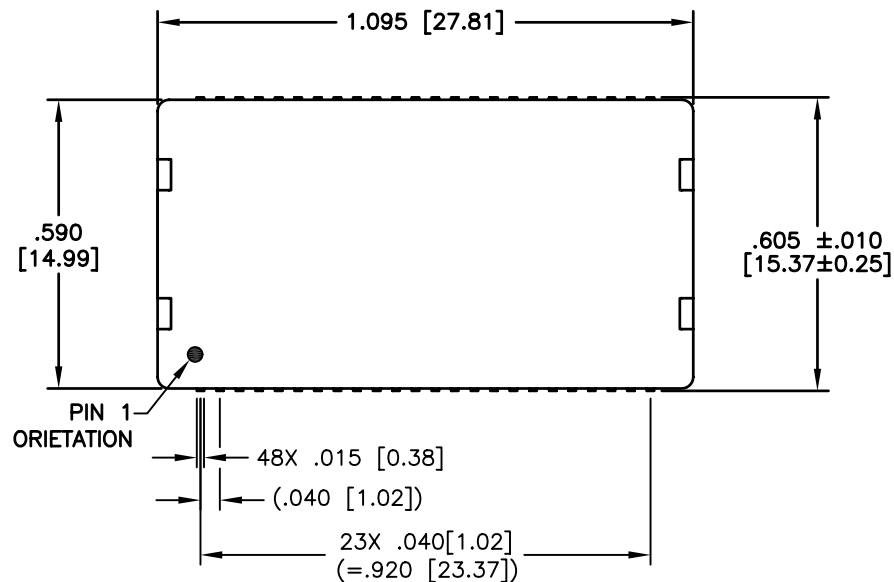
SCHEMATIC

PARAMETER	SPECIFICATIONS			
OPERATING TEMPERATURE	-40°C TO +85°C			
URNS RATIO	1.00 ± 3%			
INTERWINDING CAPACITANCE	20 pF TYPICAL @ 1 MHz, 100 mV			
LEAKAGE INDUCTANCE	250 nH TYPICAL @ 1 MHz, 100 mV			
INSERTION LOSS	100 KHz	1-125 MHz		
	-1.2 dB MAX	-0.2-0.002*f ^{1.4} dB MAX		
RETURN LOSS (Z OUT = 100 OHM ±15%)	.1-40 MHz	40-100 MHz		
	-16 dB MIN	-10+20*LOG ₁₀ (f/80 MHz) dB MIN		
LINE-SIDE INDUCTANCE (-40°C TO +85°C)	120 uH MIN (MEASURED AT 100 KHz, 100 mV) AND 18.3 mA DC BIAS)			
CROSSTALK, ADJACENT CHANNELS	1 MHz	10-100 MHz		
	-50 dB MIN	-55+22*LOG ₁₀ (f/10) dB MIN		
DIFFERENTIAL- TO COMMON- MODE REJECTION RATIO	2 MHz	30-200 MHz		
	-50 dB MIN	-15+20*LOG ₁₀ (f/200) dB MIN		
COMMON- TO COMMON- MODE REJECTION RATIO	30 MHz	60 MHz	100 MHz	200 MHz
	-40 dB MIN	-35 dB MIN	-30 dB MIN	-25 dB MIN
DC RESISTANCE, 1/2 WINDING	.65 OHMS MAX			
DC RESISTANCE IMBALANCE	±.065 OHMS MAX (CENTER TAP SYMMETRY)			
INPUT - OUTPUT ISOLATION	1500 VRMS MIN FOR 60 SECONDS			

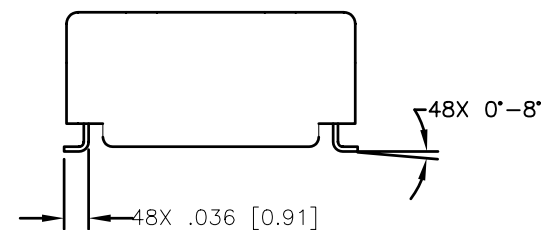
NOTE: f IS FREQUENCY IN MHz.

© Copyright, 2014. Pulse Electronics Corp. All rights reserved. Pulse confidential & proprietary. (06/26/14)

PRODUCT DESCRIPTION	TLA DRAWING	PS DRAWING	SHEET	PART NO.	DATASHEET REV.
MDL,DUAL,1GPP,1:1,SM,ET,TU	HX6510FNL-10	PS-2747.001-B	2 OF 3	HX6510FNL	A



SUGGESTED LAND PATTERN



DIMENSIONS ARE IN INCHES [MILLIMETERS] WITH THE FOLLOWING TOLERANCES: [MILLIMETERS] ARE FOR REFERENCE ONLY.
 .XX= ±.01 [±0.25]
 .XXX= ±.005 [±0.13]

© Copyright, 2014. Pulse Electronics Corp. All rights reserved. Pulse confidential & proprietary. (06/26/14)

PRODUCT DESCRIPTION	TLA DRAWING	PS DRAWING	SHEET	PART NO.	DATASHEET REV.
MDL,DUAL,1GPP,1:1,SM,ET,TU	HX6510FNL-10	PS-2747.001-B	3 OF 3	HX6510FNL	A