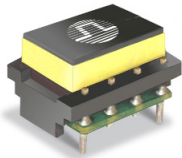


Pulse Offerings

- Pulse SmartER Splitter™ Modules**
(patent pending)



- Pulse SMART Splitter™ Modules**
(patent pending)

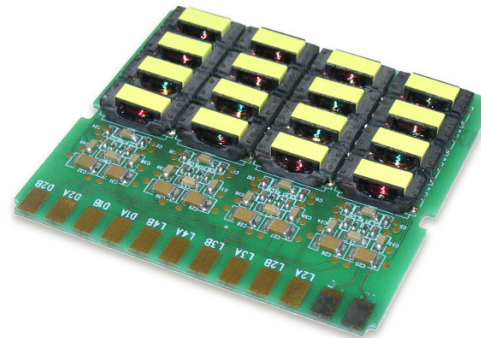


- *Excelsus Customer Premise Equipment (CPE) Filters**



*Excelsus is a brand of Pulse.

- Custom MDF Boards**

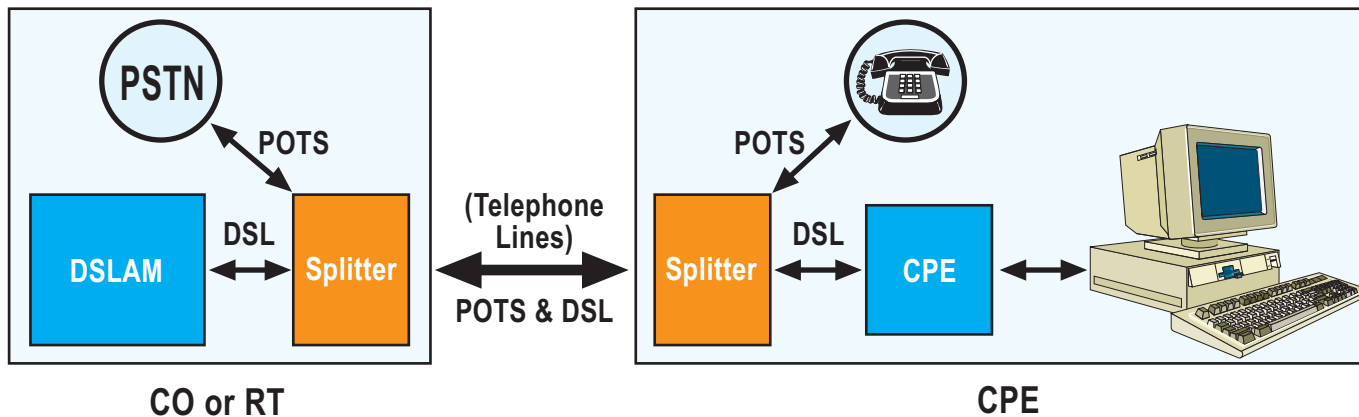


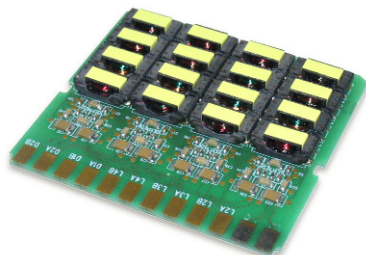
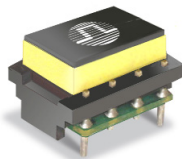
Applications

- DLC (Digital Loop Carrier)
- DSLAM (Digital Subscriber Line Access Multiplexer)
- Remote Terminals (RT)
- Central Office Splitter Cards
- Customer Premise Splitters
- Customer Premise Micro Filters

Technologies and Standards

- ADSL, ADSL2, ADSL2+
- VDSL, VDSL2
- ANSI/ETSI/ITU
- DSL FORUM, HPNA





DSL Splitter Guide



SmartER SPLITTER™ MODULES			SMART SPLITTER™ MODULES			EXCELSUS® CPE SPLITTERS & MICRO FILTERS			
Part No.	Application	Impedance Standard	Part No.	Application	Impedance Standard	EXCELSUS VIDEO GRADE SPLITTERS			
B8802NL	xDSL/POTS	ANSI complex impedance (US) - CPE ITU Spec 992.1 Annex E2	B8041	ADSL/POTS	600Ω ETSI real impedance	Region	Application	Part Number	Specification
B8813NL	xDSL/POTS	ANSI complex impedance (US) - CO ITU Spec 992.1 Annex E2	B8042	ADSL/ISDN	135Ω Line Impedance, ISDN 2B1Q (Europe), ETSI Spec. TS 101-952-1-3	Americas	xDSL/POTS	CP-V413S CP-V413TJ45	ANSI T1.413 ANSI T1.413
B8817NL	xDSL/POTS	China MII relaxed spec	B8045	ADSL/ISDN	150Ω Line Impedance, ISDN 4B3T DT Complex Impedance	Europe	POTS POTS POTS and ISDN	CP-401TJ45 CP-V501TJ45 CP-404TJ45	ETSI TS 101 952-1-1 ETSI TS 101 952 2-1 ETSI TS 101 952-1-4
B8841NL	xDSL/POTS	600Ω ETSI real impedance	B8245	ADSL/ISDN	150Ω Line Impedance, ISDN 4B3T, DT Complex Impedance – Compliant (Germany)	Country Specific			
B8842NL	xDSL/POTS ISDN	Combo ISDN 2B1Q 135Ω + 4B3T 150Ω ETSI Spec. TS 101-952-1-3	B8546	ADSL/POTS	BT SIN-346 Complex Impedance (UK)	Sweden	POTS	CP-421SE	Skanova Network's 304/1056-KDUA 101 110 Rev. D
B8845NL	xDSL/POTS	ISDN 4B3T 150Ω + DT Complex Impedance - ETSI Spec. TS 101-952-1-4	B8216	ADSL/POTS	BT SIN-346 Complex Impedance (UK) With protections (K20 compliant)	Czechoslovakia	POTS and ISDN	CP-404TJ11	Cesky Telecom TPK 2092 C for ADSL2+
B8846NL	xDSL/POTS	BT SIN-346 Complex Impedance (UK) + ETSI101-952-1-1 optionB	B8049	ADSL/POTS	ETSI Complex Impedance (Europe) Option A of ETSI Spec. TS 101-952-1-1	Norway	POTS and ISDN	CP-404TJ45	Telenor's specification for CPE splitters
B8849NL	xDSL/POTS	ETSI Complex Impedance (Europe) Option A of ETSI Spec. TS 101-952-1-1	B8549	ADSL/POTS	ETSI Complex Impedance (Europe) Option A of ETSI Spec. TS 101-952-1-1	EXCELSUS MICRO FILTERS			
B8850NL	xDSL/POTS	ETSI Complex Impedance (Europe) Option A of ETSI Spec. TS 101-952-1-1 fully compliant 300 mA saturating current	B8120	ADSL/POTS	ANSI complex impedance (US) ITU Spec 992.1 Annex E2	Region	Application		
B8859NL	xDSL/POTS	ETSI Complex Impedance (Europe) Option A of ETSI Spec. TS 101-952-1-1 fully compliant	B8120A	ADSL/POTS	ANSI complex impedance (US) ITU Spec 992.1 Annex E2	North America	Z-330PJ, Z-330P2J-A, Z-300TJ, Z-300LS		
			BX8214	ADSL/POTS	ANSI complex impedance (US), ITU G992.1 Annex E2 (B804x 12 mm package)	South America	Z-301LS-G		
			BX8270	ADSL/POTS	ITU G992.1 Annex E2 for Korea CPE (B8120 package)	Europe	Z-230PJ, Z-300TJ Z-301LS Z-450UK, Z-420UKP2J, Z-350UK Z-471BE, Z-250IT, Z-250FR		
			BX8296	ADSL/POTS	ANSI T.421 standard	Middle East and Asia	Z-301LS		
						Australia	Z-490TJ45		
						EXCELSUS MDU			
						Part No.	Description	Application	
						KHZ-023-6625FF	24 Port Splitter intergrated into a 66 Punch down block	VDSL2 and HPN	
						EXCELSUS HPNA PRODUCTS			
						B-V175	Twisted Pair to Coaxial Balun	VDSL2 and HPN	

NOTE: Custom circuits and mechanical designs available.

Pulse website: <http://www.pulseeng.com> • Excelsus website: <http://www.excelsus-tech.com> • Telecom Email: prodinfo_telecom@pulseeng.com