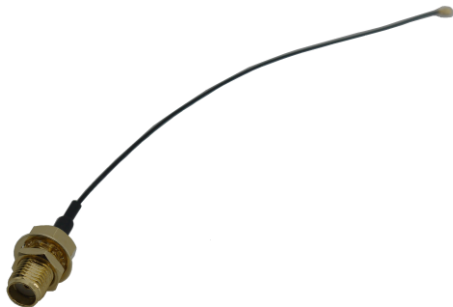


Series: Cable

Description: CABLE ASSEMBLY SMA-IPEX, OD  
0.81, 100mm

PART NUMBER: W9025



### Features:

- Connectors:
  - SMA Female
  - IPEX MHF4
- Cable length 100mm
- Cable diameter 0.81mm
- RoHS Compliant

### Applications:

- Jumper cable
- RF connections

All dimensions are in mm / inches

Issue: 1730P

In the effort to improve our products, we reserve the right to make changes judged to be necessary.

CONFIDENTIAL AND PROPRIETARY INFORMATION

This document contains confidential and proprietary information of Pulse Electronics, Inc. (Pulse) and is protected by copyright, trade secret and other state and federal laws. Its receipt or possession does not convey any rights to reproduce, disclose its contents, or to manufacture, use or sell anything it may describe. Reproduction, disclosure or use without specific written authorization of Pulse is strictly forbidden.

For more information:

Pulse Worldwide Headquarters  
15255 Innovation Drive #100  
San Diego, CA 92128  
USA  
Tel: 1-858-674-8100

Pulse/Larsen Antennas  
18110 SE 34<sup>th</sup> St Bldg 2 Suite 250  
Vancouver, WA 98683  
USA  
Tel: 1-360-944-7551

Europe Headquarters  
Pulse GmbH & Do, KG  
Zeppelinstrasse 15  
Herrenberg, Germany  
Tel: 49 7032 7806 0

Pulse (Suzhou) Wireless Products Co, Inc.  
99 Huo Ju Road(#29 Bldg,4<sup>th</sup> Phase  
Suzhou New District  
Jiangsu Province, Suzhou 215009 PR China  
Tel: 86 512 6807 9998

Preliminary



Series: Cable

Description: CABLE ASSEMBLY SMA-IPEX, OD  
0.81, 100mm

PART NUMBER: W9025

### ELECTRICAL SPECIFICATIONS

|                   |                         |
|-------------------|-------------------------|
| Frequency         | 0-6000MHz               |
| Nominal Impedance | 50 Ω                    |
| VSWR              | <1.8:1                  |
| Insertion Loss    | -1/-1.8dB @ 2.4GHz/6GHz |

### MECHANICAL SPECIFICATIONS

|                          |                        |
|--------------------------|------------------------|
| Overall Length           | 113.4mm                |
| Weight                   | 3.6g                   |
| Antenna Color / Material | Black                  |
| Connector type           | SMA(Female);I-PEX MHF4 |
| Cable type               | 0.81 coaxial           |
| Cable length             | 100mm                  |

### ENVIRONMENTAL SPECIFICATIONS

|                       |               |
|-----------------------|---------------|
| Operating Temperature | -40° C~+85° C |
| Storage Temperature   | -40° C~70° C  |
| Ingress Protection    | IP50          |
| RoHS Compliant        | Yes           |
| Salt Mist             | 48hrs         |

Issue: 1730P

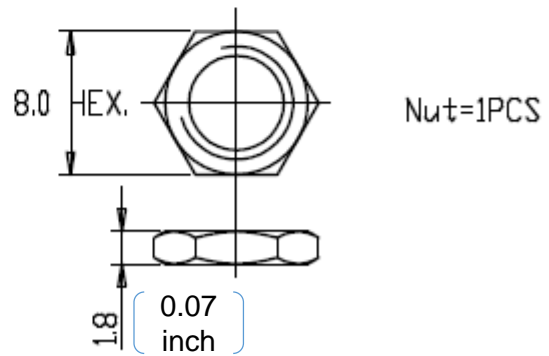
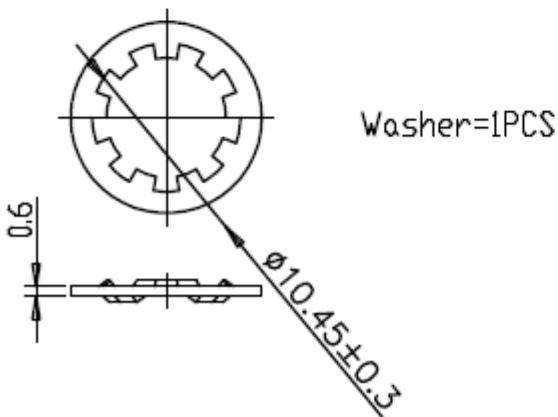
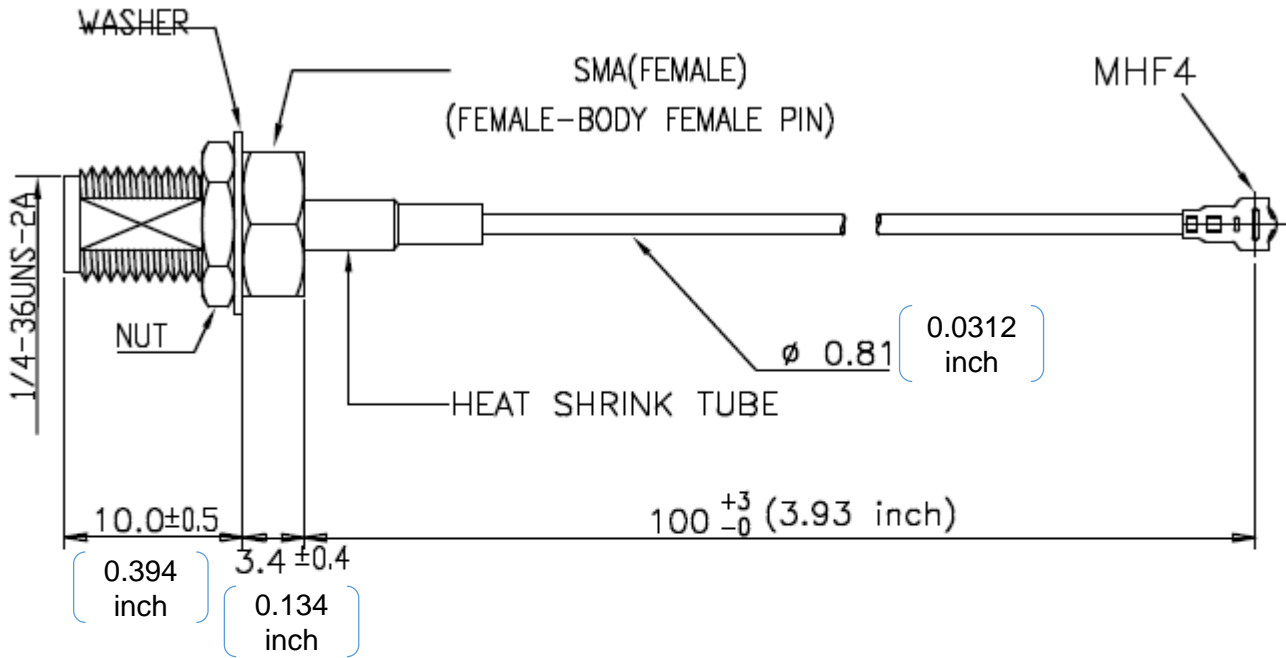
In the effort to improve our products, we reserve the right to make changes judged to be necessary.

CONFIDENTIAL AND PROPRIETARY INFORMATION

This document contains confidential and proprietary information of Pulse Electronics, Inc. (Pulse) and is protected by copyright, trade secret and other state and federal laws. Its receipt or possession does not convey any rights to reproduce, disclose its contents, or to manufacture, use or sell anything it may describe. Reproduction, disclosure or use without specific written authorization of Pulse is strictly forbidden.

Preliminary

MECHANICAL DRAWING



Dimension Unit: mm[inch]

Issue: 1730P

In the effort to improve our products, we reserve the right to make changes judged to be necessary.  
CONFIDENTIAL AND PROPRIETARY INFORMATION

This document contains confidential and proprietary information of Pulse Electronics, Inc. (Pulse) and is protected by copyright, trade secret and other state and federal laws. Its receipt or possession does not convey any rights to reproduce, disclose its contents, or to manufacture, use or sell anything it may describe. Reproduction, disclosure or use without specific written authorization of Pulse is strictly forbidden.

Preliminary

Description: CABLE ASSEMBLY SMA-IPEX, OD 0.81, 100mm

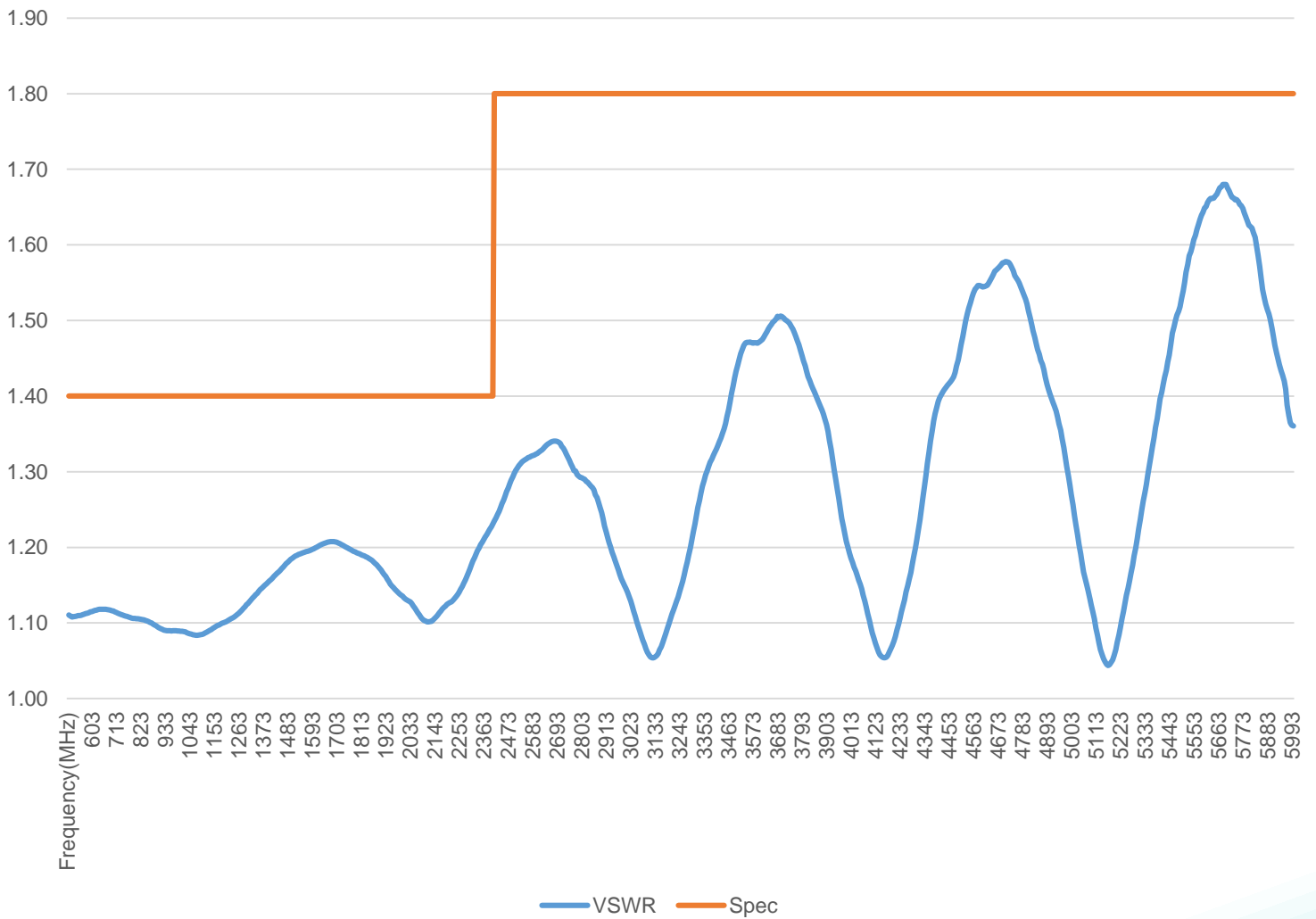
Series: Cable

PART NUMBER: W9025

CHARTS

VSWR

VSWR



Preliminary

Issue: 1730P

In the effort to improve our products, we reserve the right to make changes judged to be necessary.

CONFIDENTIAL AND PROPRIETARY INFORMATION

This document contains confidential and proprietary information of Pulse Electronics, Inc. (Pulse) and is protected by copyright, trade secret and other state and federal laws. Its receipt or possession does not convey any rights to reproduce, disclose its contents, or to manufacture, use or sell anything it may describe. Reproduction, disclosure or use without specific written authorization of Pulse is strictly forbidden.



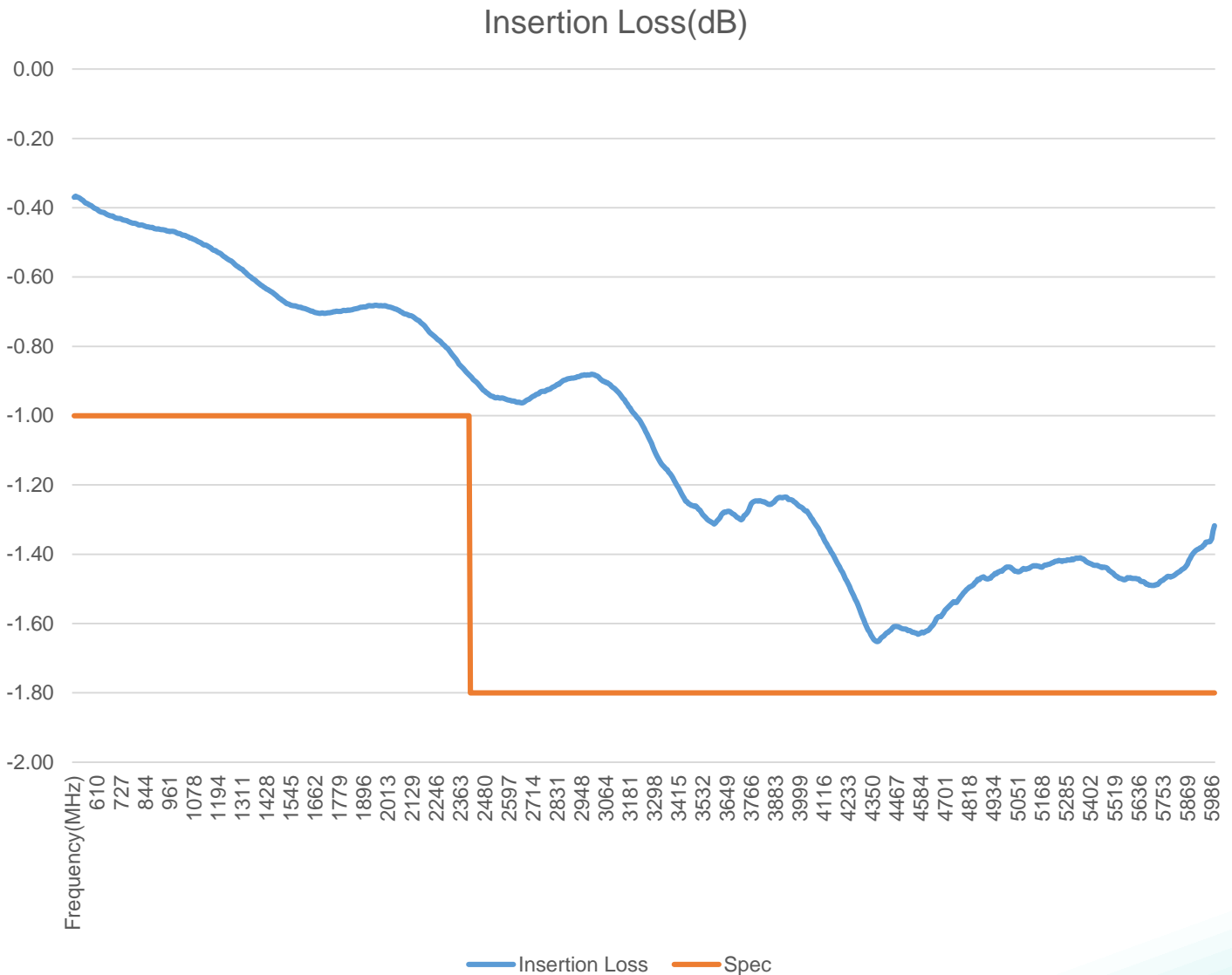
Description: CABLE ASSEMBLY SMA-IPEX, OD 0.81, 100mm

Series: Cable

PART NUMBER: W9025

CHARTS

Insertion Loss(dB)



Preliminary

Issue: 1730P

In the effort to improve our products, we reserve the right to make changes judged to be necessary.

CONFIDENTIAL AND PROPRIETARY INFORMATION

This document contains confidential and proprietary information of Pulse Electronics, Inc. (Pulse) and is protected by copyright, trade secret and other state and federal laws. Its receipt or possession does not convey any rights to reproduce, disclose its contents, or to manufacture, use or sell anything it may describe. Reproduction, disclosure or use without specific written authorization of Pulse is strictly forbidden.



Series: Cable

Description: CABLE ASSEMBLY SMA-IPEX, OD  
0.81, 100mm

PART NUMBER: W9025

## PACKAGING

50pcs/bag

500pcs/package box

Package box:460mm\*235mm\*70mm

Issue: 1730P

In the effort to improve our products, we reserve the right to make changes judged to be necessary.

CONFIDENTIAL AND PROPRIETARY INFORMATION

This document contains confidential and proprietary information of Pulse Electronics, Inc. (Pulse) and is protected by copyright, trade secret and other state and federal laws. Its receipt or possession does not convey any rights to reproduce, disclose its contents, or to manufacture, use or sell anything it may describe. Reproduction, disclosure or use without specific written authorization of Pulse is strictly forbidden.

Preliminary

