

Description: 868-920MHz SMT PIFA

Series: EMBEDDED SMT

PART NUMBER: W3403



Features:

- Frequency 868-920MHz
- Antenna type Folded PIFA
- Size 39 x 14.4 x 4.8 mm
- Radiation pattern Omni
- Impedance 50 Ohm
- Tray Packing
- RoHS compliant

Applications:

- All Sigfox network regions
- Suitable for SMT mounting
- Extremely robust structure using single folded sheet metal radiator
- Tuneable for application using radio PCB layout slot tuning features

All dimensions are in mm

Issue: 1751P

In the effort to improve our products, we reserve the right to make changes judged to be necessary.

CONFIDENTIAL AND PROPRIETARY INFORMATION

This document contains confidential and proprietary information of Pulse Electronics, Inc. (Pulse) and is protected by copyright, trade secret and other state and federal laws. Its receipt or possession does not convey any rights to reproduce, disclose its contents, or to manufacture, use or sell anything it may describe. Reproduction, disclosure or use without specific written authorization of Pulse is strictly forbidden.

For more information:

Pulse Worldwide Headquarters
15255 Innovation Drive #100
San Diego, CA 92128
USA
Tel: 1-858-674-8100

Pulse/Larsen Antennas
18110 SE 34th St Bldg 2 Suite 250
Vancouver, WA 98683
USA
Tel: 1-360-944-7551

Europe Headquarters
Pulse GmbH & Do, KG
Zeppelinstrasse 15
Herrenberg, Germany
Tel: 49 7032 7806 0

Pulse (Suzhou) Wireless Products Co, Inc.
99 Huo Ju Road(#29 Bldg, 4th Phase
Suzhou New District
Jiangsu Province, Suzhou 215009 PR China
Tel: 86 512 6807 9998

Preliminary



Description: 868-920MHz SMT PIFA

Series: EMBEDDED SMT

PART NUMBER: W3403

ELECTRICAL SPECIFICATIONS

Antenna Type	PIFA ANTENNA
Frequency	868-920MHz
Nominal Impedance	50 Ω
Return Loss	< -12dB
Radiation Pattern	Omni
Gain	average -1.9dBi
Efficiency	average 30%
Polarization	Vertical

MECHANICAL SPECIFICATIONS

Overall Size	39 x 14.4 x 4.8 mm
Weight	3 g
Antenna Material	Ni-Plated Stainless Steel

ENVIRONMENTAL SPECIFICATIONS

Operating Temperature	-30 to +85° C
Storage Temperature	-30 to +85° C
RoHS Compliant	Yes

Issue: 1751P

In the effort to improve our products, we reserve the right to make changes judged to be necessary.

CONFIDENTIAL AND PROPRIETARY INFORMATION

This document contains confidential and proprietary information of Pulse Electronics, Inc. (Pulse) and is protected by copyright, trade secret and other state and federal laws. Its receipt or possession does not convey any rights to reproduce, disclose its contents, or to manufacture, use or sell anything it may describe. Reproduction, disclosure or use without specific written authorization of Pulse is strictly forbidden.

Preliminary

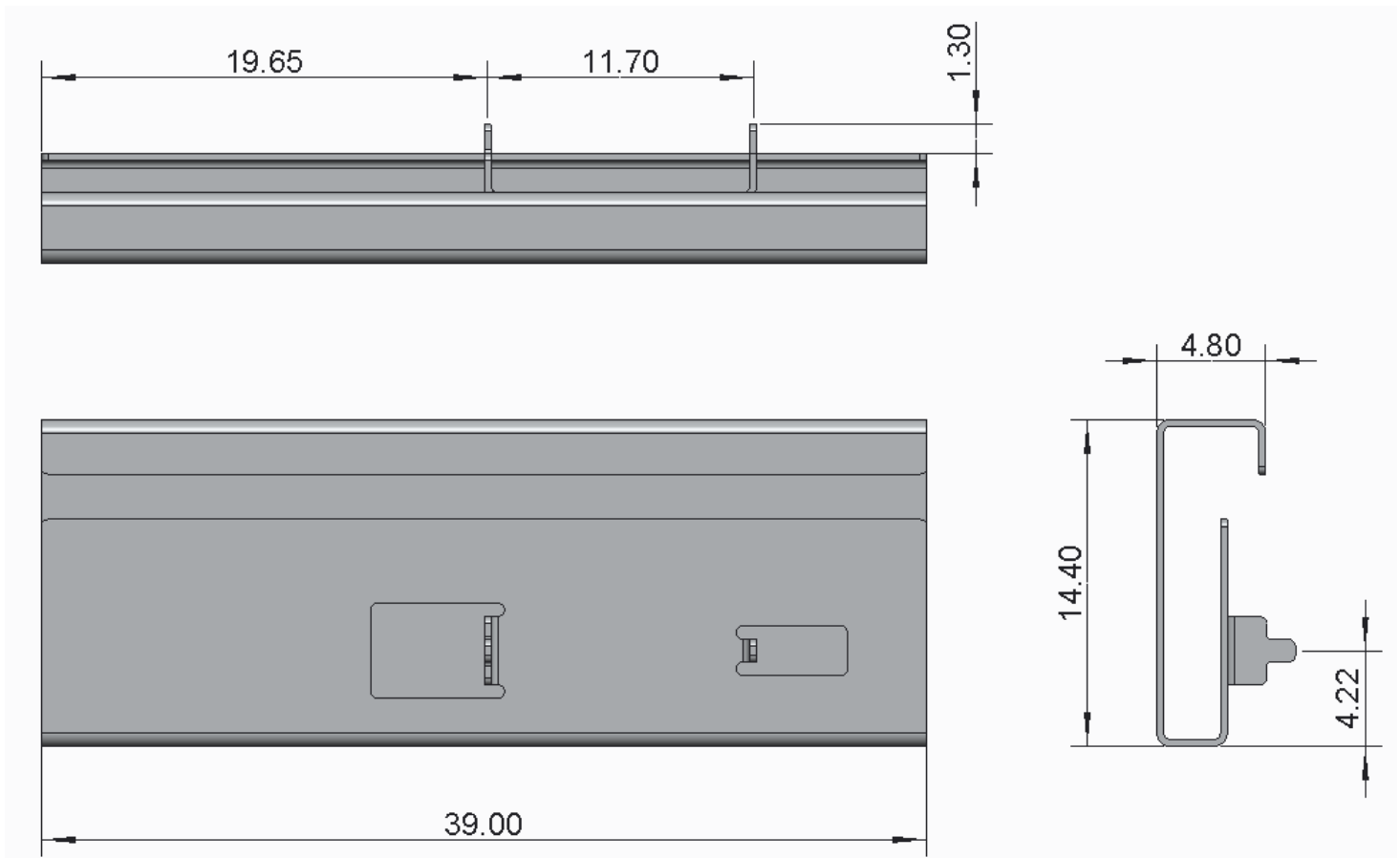


Description: 868-920MHz SMT PIFA

Series: EMBEDDED SMT

PART NUMBER: W3403

MECHANICAL DRAWING



All dimensions are in mm.

Issue: 1751P

In the effort to improve our products, we reserve the right to make changes judged to be necessary.

CONFIDENTIAL AND PROPRIETARY INFORMATION

This document contains confidential and proprietary information of Pulse Electronics, Inc. (Pulse) and is protected by copyright, trade secret and other state and federal laws. Its receipt or possession does not convey any rights to reproduce, disclose its contents, or to manufacture, use or sell anything it may describe. Reproduction, disclosure or use without specific written authorization of Pulse is strictly forbidden.

Preliminary



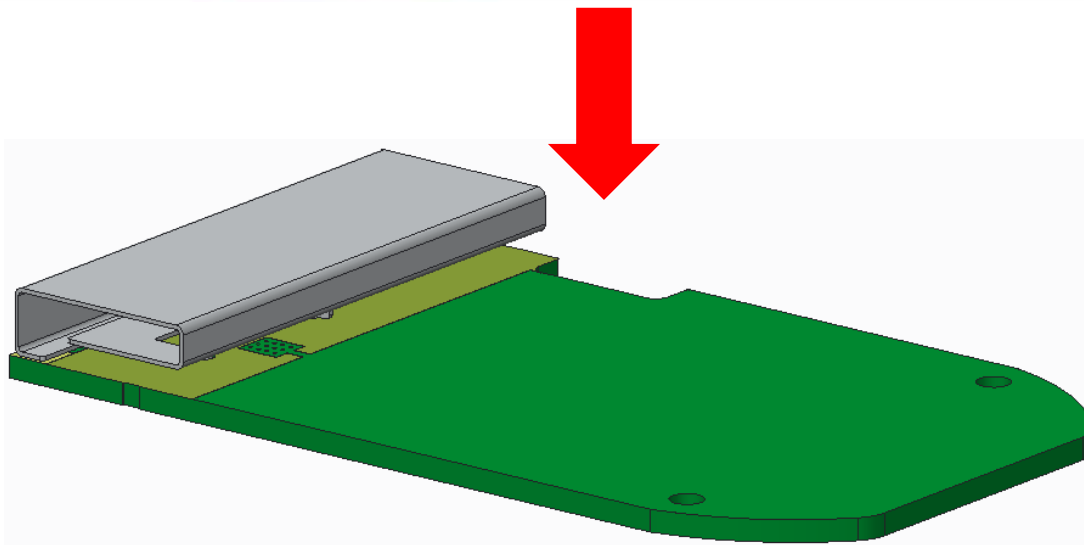
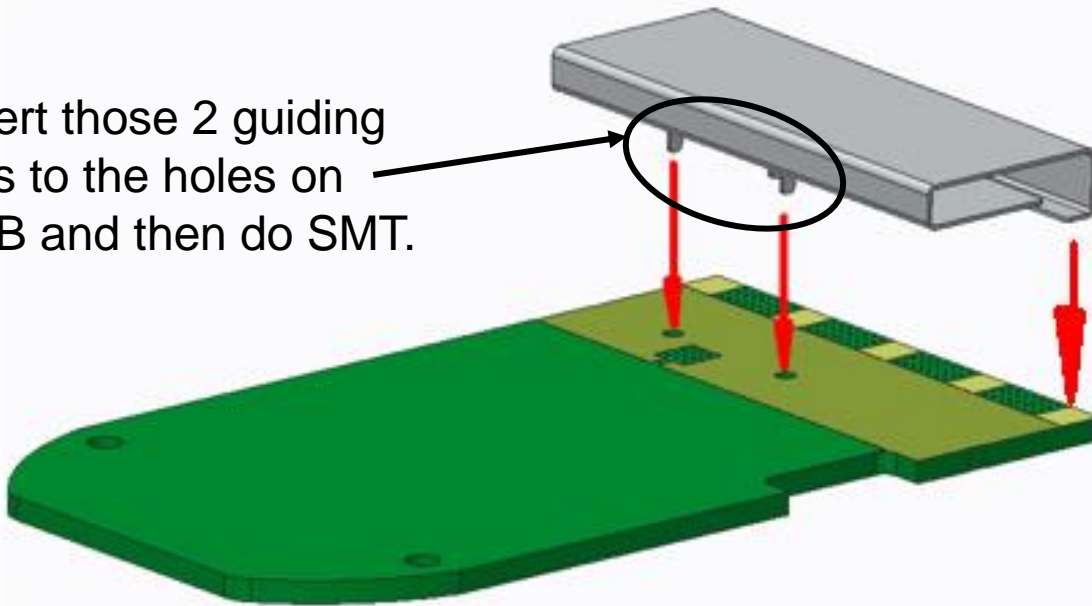
Description: 868-920MHz SMT PIFA

Series: EMBEDDED SMT

PART NUMBER: W3403

ASSEMBLY INSTRUCTIONS

Insert those 2 guiding pins to the holes on PCB and then do SMT.



Preliminary

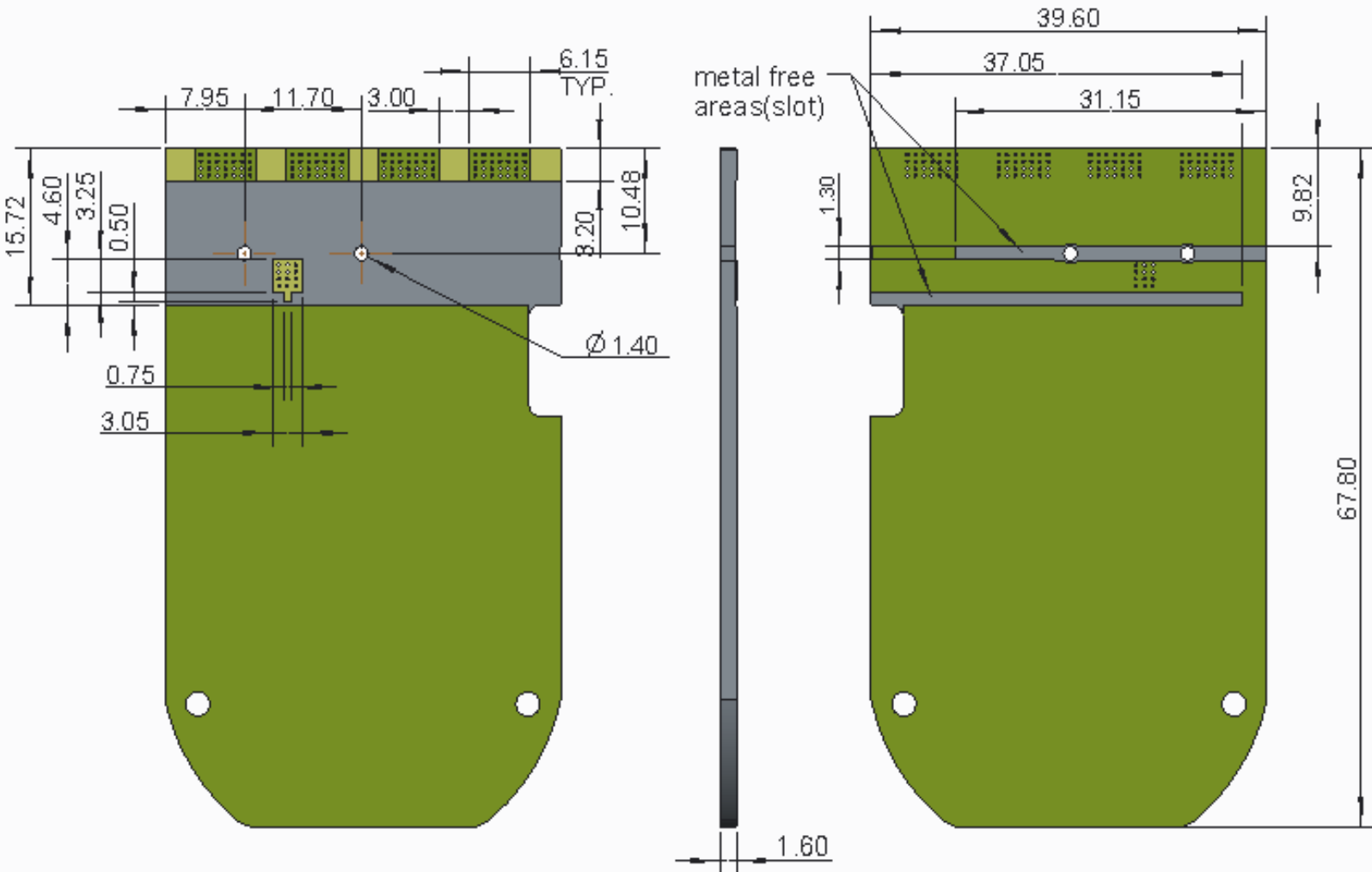
Issue: 1751P

In the effort to improve our products, we reserve the right to make changes judged to be necessary.

CONFIDENTIAL AND PROPRIETARY INFORMATION

This document contains confidential and proprietary information of Pulse Electronics, Inc. (Pulse) and is protected by copyright, trade secret and other state and federal laws. Its receipt or possession does not convey any rights to reproduce, disclose its contents, or to manufacture, use or sell anything it may describe. Reproduction, disclosure or use without specific written authorization of Pulse is strictly forbidden.

Antenna PAD LAYOUT DRAWING



All dimensions are in mm.

Issue: 1751P

In the effort to improve our products, we reserve the right to make changes judged to be necessary.

CONFIDENTIAL AND PROPRIETARY INFORMATION

This document contains confidential and proprietary information of Pulse Electronics, Inc. (Pulse) and is protected by copyright, trade secret and other state and federal laws. Its receipt or possession does not convey any rights to reproduce, disclose its contents, or to manufacture, use or sell anything it may describe. Reproduction, disclosure or use without specific written authorization of Pulse is strictly forbidden.

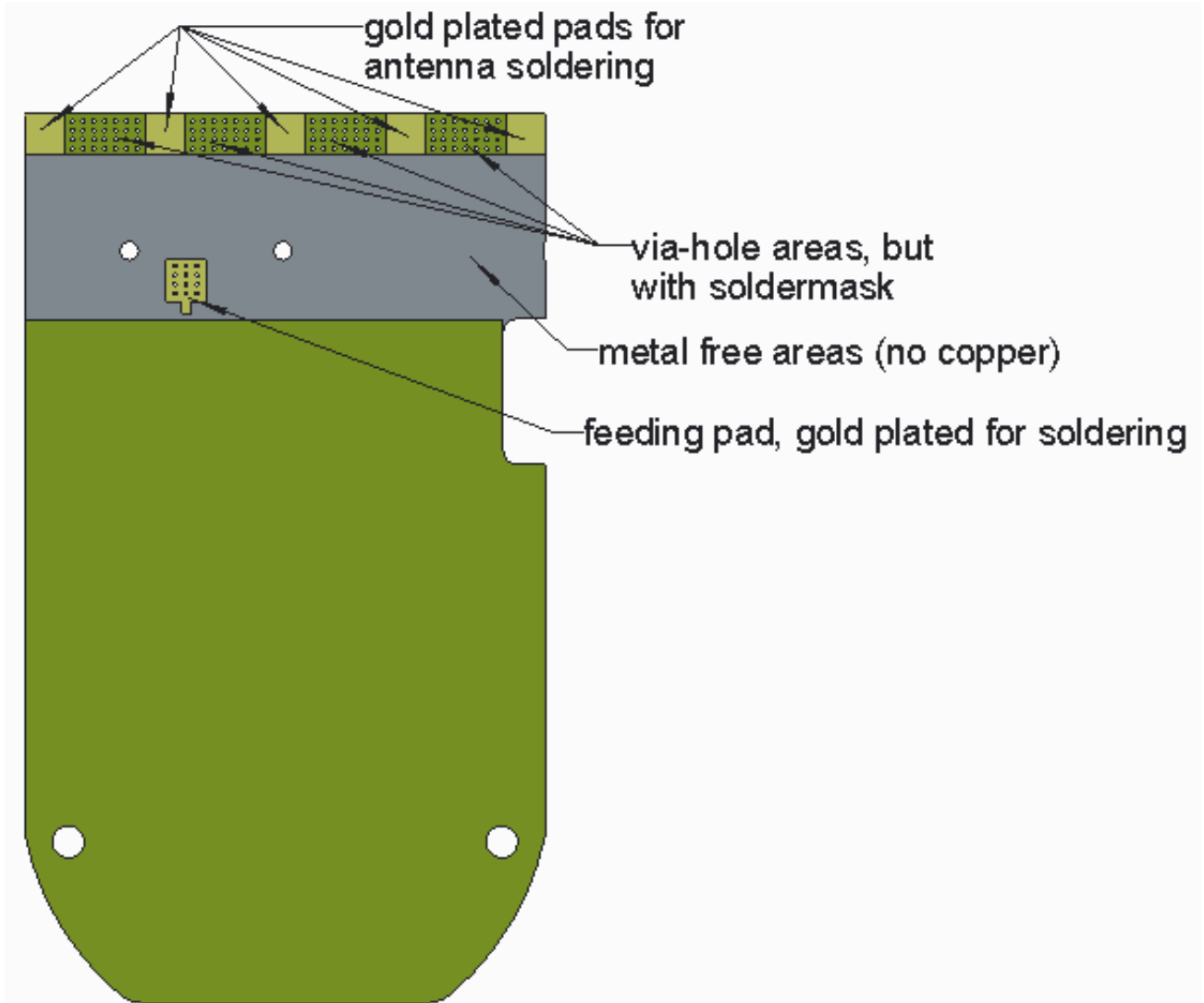
Preliminary

Description: 868-920MHz SMT PIFA

Series: EMBEDDED SMT

PART NUMBER: W3403

Antenna PAD LAYOUT DRAWING



Issue: 1751P

In the effort to improve our products, we reserve the right to make changes judged to be necessary.

CONFIDENTIAL AND PROPRIETARY INFORMATION

This document contains confidential and proprietary information of Pulse Electronics, Inc. (Pulse) and is protected by copyright, trade secret and other state and federal laws. Its receipt or possession does not convey any rights to reproduce, disclose its contents, or to manufacture, use or sell anything it may describe. Reproduction, disclosure or use without specific written authorization of Pulse is strictly forbidden.

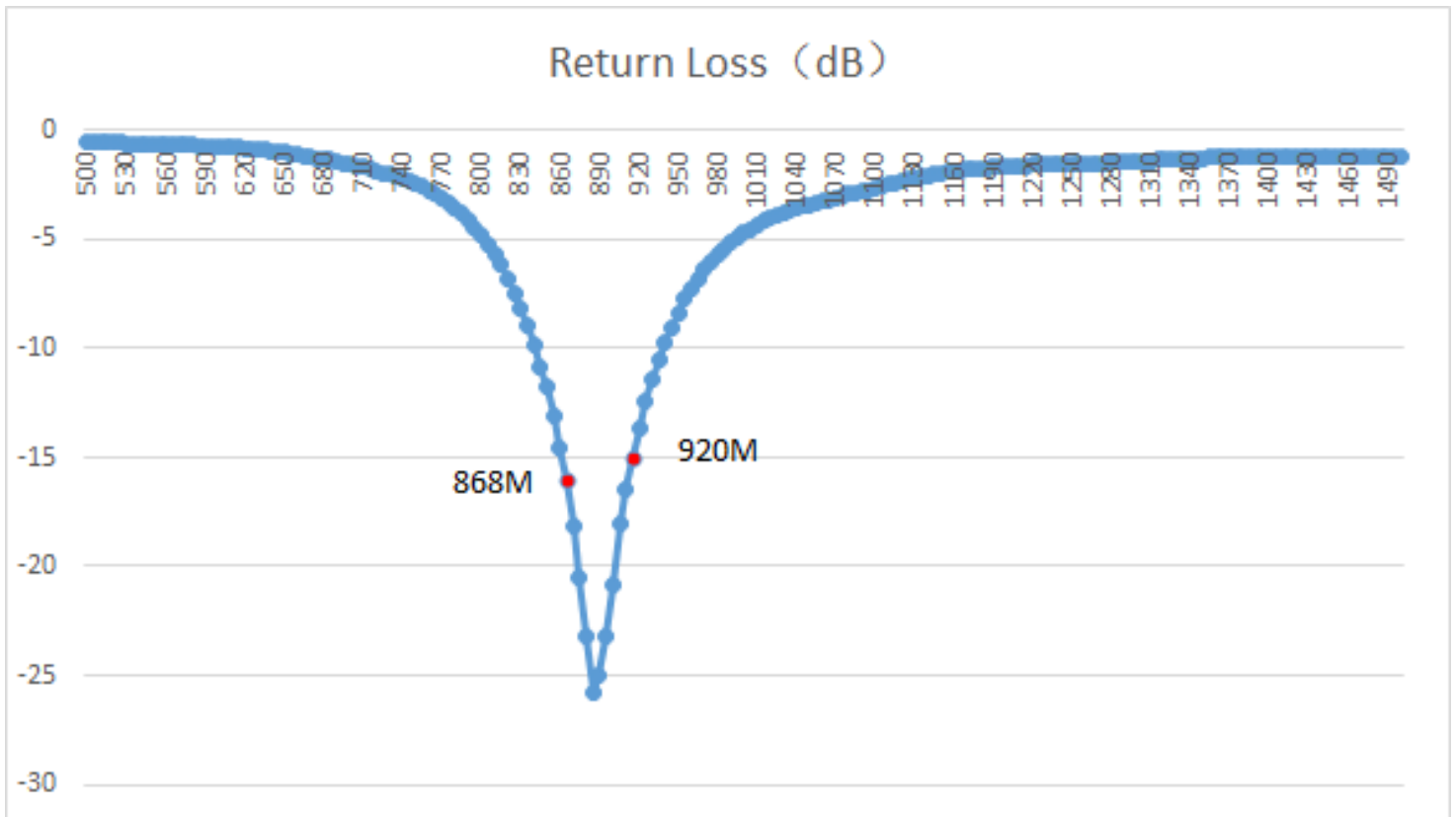
Preliminary

Description: 868-920MHz SMT PIFA

Series: EMBEDDED SMT

PART NUMBER: W3403

CHARTS



Test PCB size: 67.8mm*39.6mm

Preliminary

Issue: 1751P

In the effort to improve our products, we reserve the right to make changes judged to be necessary.

CONFIDENTIAL AND PROPRIETARY INFORMATION

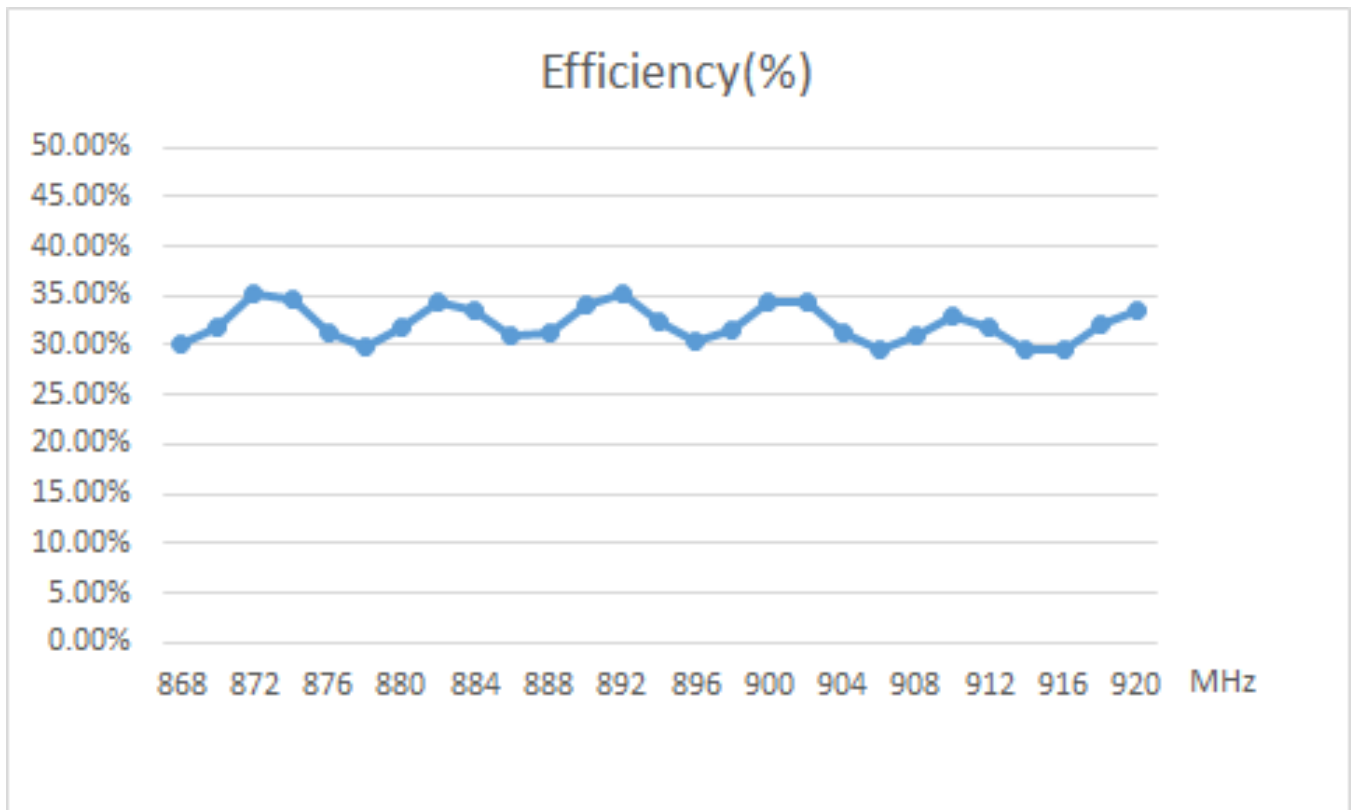
This document contains confidential and proprietary information of Pulse Electronics, Inc. (Pulse) and is protected by copyright, trade secret and other state and federal laws. Its receipt or possession does not convey any rights to reproduce, disclose its contents, or to manufacture, use or sell anything it may describe. Reproduction, disclosure or use without specific written authorization of Pulse is strictly forbidden.

Description: 868-920MHz SMT PIFA

Series: EMBEDDED SMT

PART NUMBER: W3403

CHARTS



Test PCB size: 67.8mm*39.6mm

Issue: 1751P

In the effort to improve our products, we reserve the right to make changes judged to be necessary.

CONFIDENTIAL AND PROPRIETARY INFORMATION

This document contains confidential and proprietary information of Pulse Electronics, Inc. (Pulse) and is protected by copyright, trade secret and other state and federal laws. Its receipt or possession does not convey any rights to reproduce, disclose its contents, or to manufacture, use or sell anything it may describe. Reproduction, disclosure or use without specific written authorization of Pulse is strictly forbidden.

Preliminary

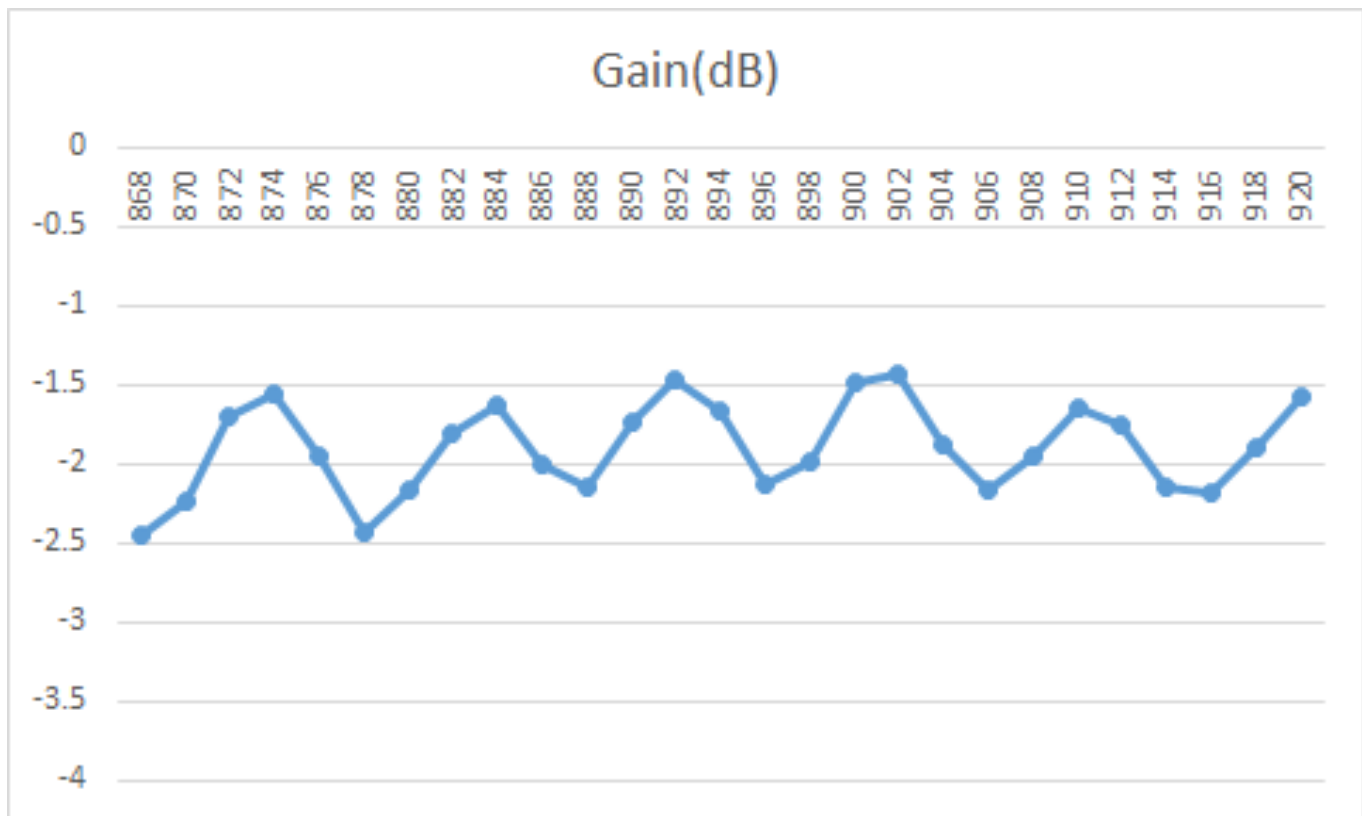


Description: 868-920MHz SMT PIFA

Series: EMBEDDED SMT

PART NUMBER: W3403

CHARTS



Test PCB size: 67.8mm*39.6mm

Preliminary

Issue: 1751P

In the effort to improve our products, we reserve the right to make changes judged to be necessary.

CONFIDENTIAL AND PROPRIETARY INFORMATION

This document contains confidential and proprietary information of Pulse Electronics, Inc. (Pulse) and is protected by copyright, trade secret and other state and federal laws. Its receipt or possession does not convey any rights to reproduce, disclose its contents, or to manufacture, use or sell anything it may describe. Reproduction, disclosure or use without specific written authorization of Pulse is strictly forbidden.

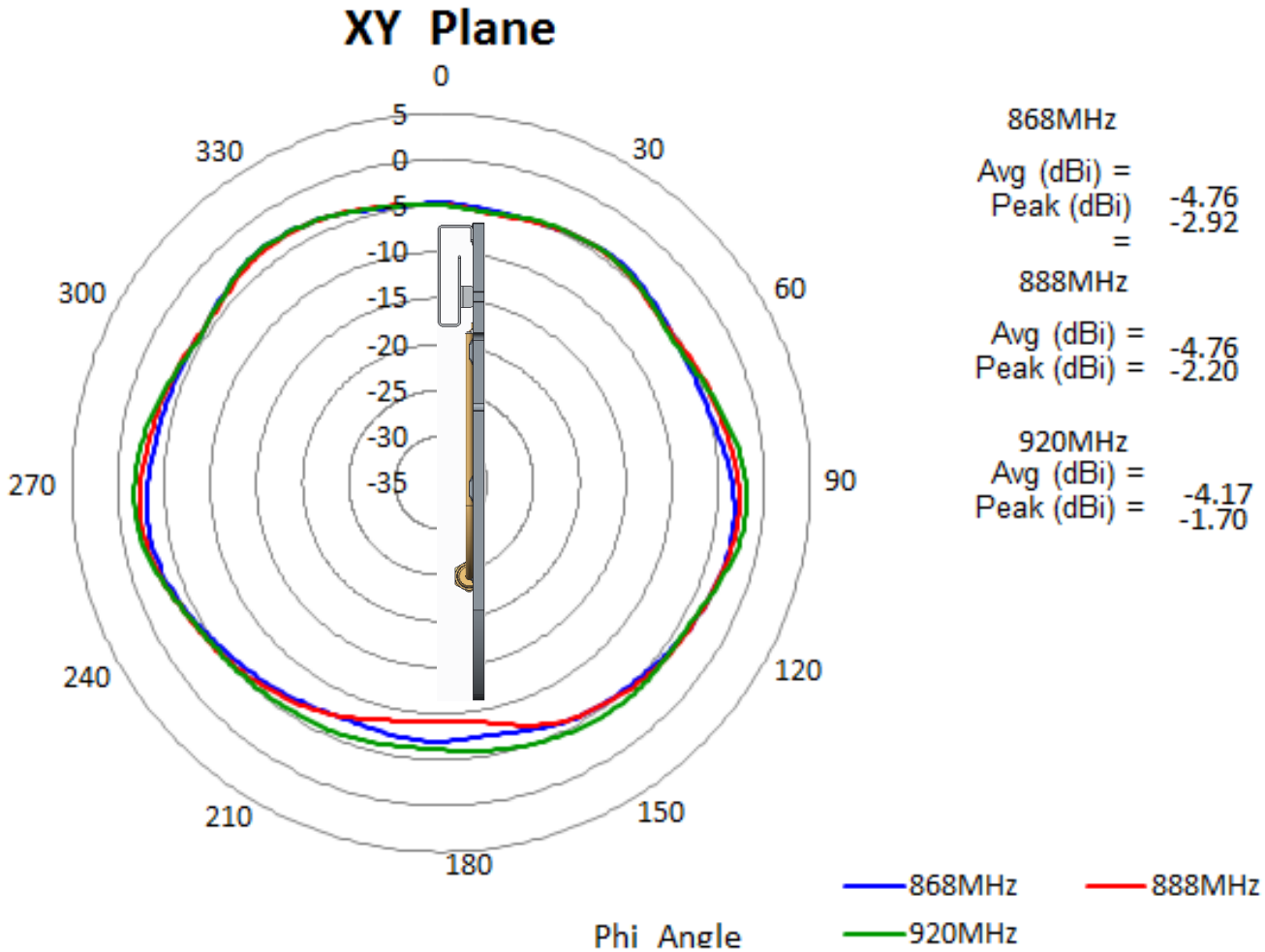


Description: 868-920MHz SMT PIFA

Series: EMBEDDED SMT

PART NUMBER: W3403

CHARTS



Test PCB size: 67.8mm*39.6mm

Preliminary

Issue: 1751P

In the effort to improve our products, we reserve the right to make changes judged to be necessary.
CONFIDENTIAL AND PROPRIETARY INFORMATION

This document contains confidential and proprietary information of Pulse Electronics, Inc. (Pulse) and is protected by copyright, trade secret and other state and federal laws. Its receipt or possession does not convey any rights to reproduce, disclose its contents, or to manufacture, use or sell anything it may describe. Reproduction, disclosure or use without specific written authorization of Pulse is strictly forbidden.

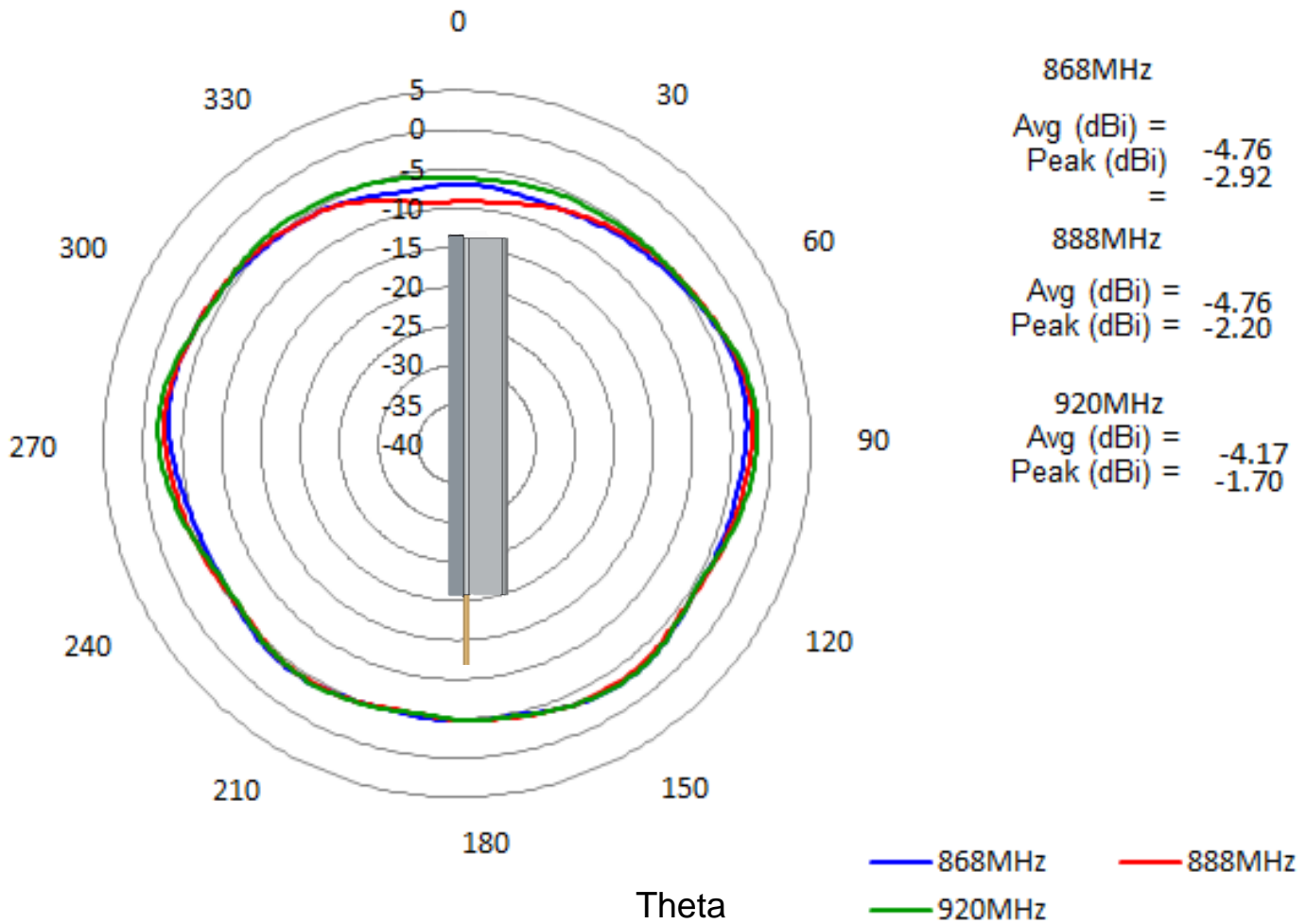
Description: 868-920MHz SMT PIFA

Series: EMBEDDED SMT

PART NUMBER: W3403

CHARTS

XZ Plane



Test PCB size: 67.8mm*39.6mm

Issue: 1751P

In the effort to improve our products, we reserve the right to make changes judged to be necessary.
 CONFIDENTIAL AND PROPRIETARY INFORMATION

This document contains confidential and proprietary information of Pulse Electronics, Inc. (Pulse) and is protected by copyright, trade secret and other state and federal laws. Its receipt or possession does not convey any rights to reproduce, disclose its contents, or to manufacture, use or sell anything it may describe. Reproduction, disclosure or use without specific written authorization of Pulse is strictly forbidden.

Preliminary

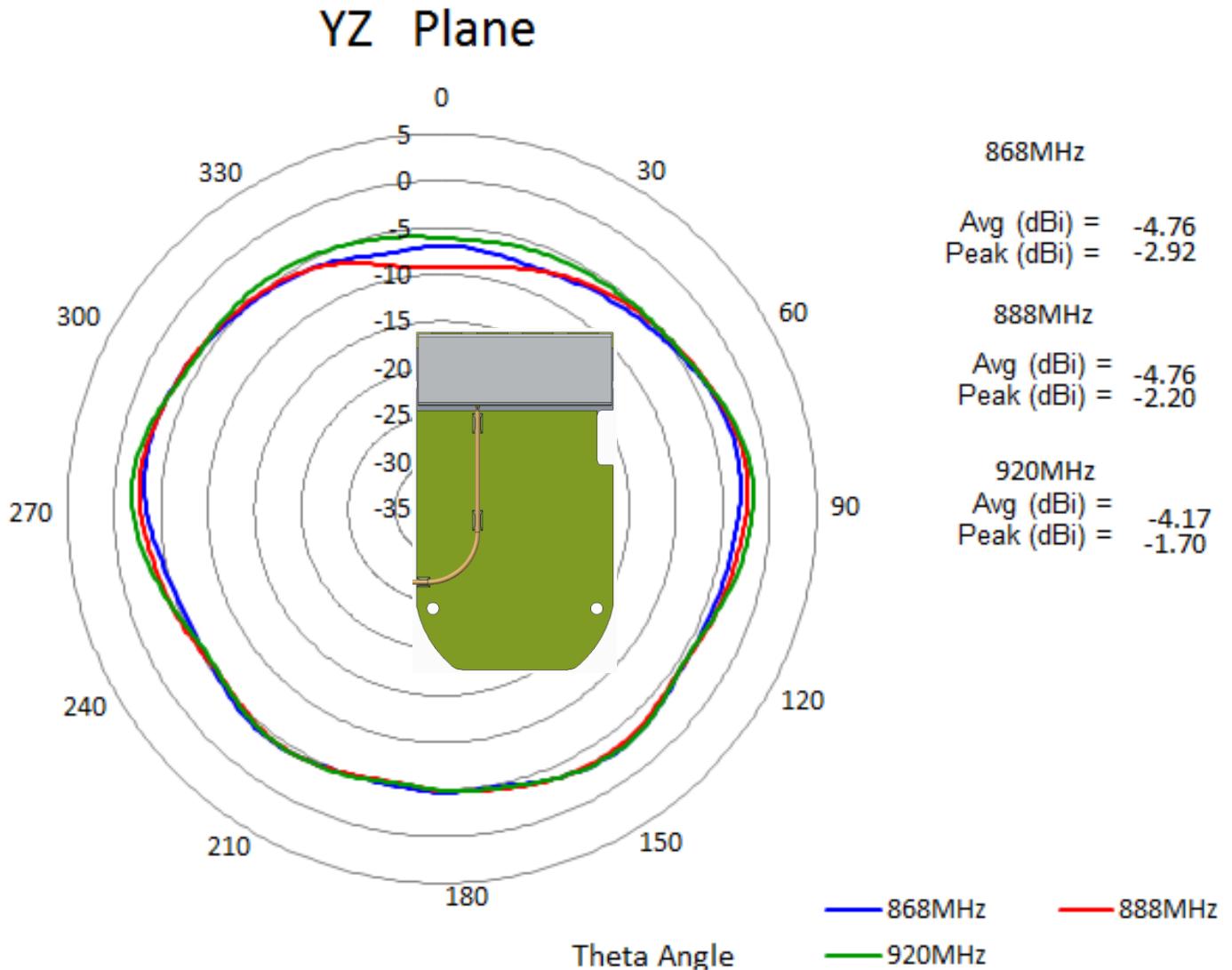


Description: 868-920MHz SMT PIFA

Series: EMBEDDED SMT

PART NUMBER: W3403

CHARTS



Test PCB size: 67.8mm*39.6mm

Issue: 1751P

In the effort to improve our products, we reserve the right to make changes judged to be necessary.
CONFIDENTIAL AND PROPRIETARY INFORMATION

This document contains confidential and proprietary information of Pulse Electronics, Inc. (Pulse) and is protected by copyright, trade secret and other state and federal laws. Its receipt or possession does not convey any rights to reproduce, disclose its contents, or to manufacture, use or sell anything it may describe. Reproduction, disclosure or use without specific written authorization of Pulse is strictly forbidden.

Preliminary



Description: 868-920MHz SMT PIFA

Series: EMBEDDED SMT

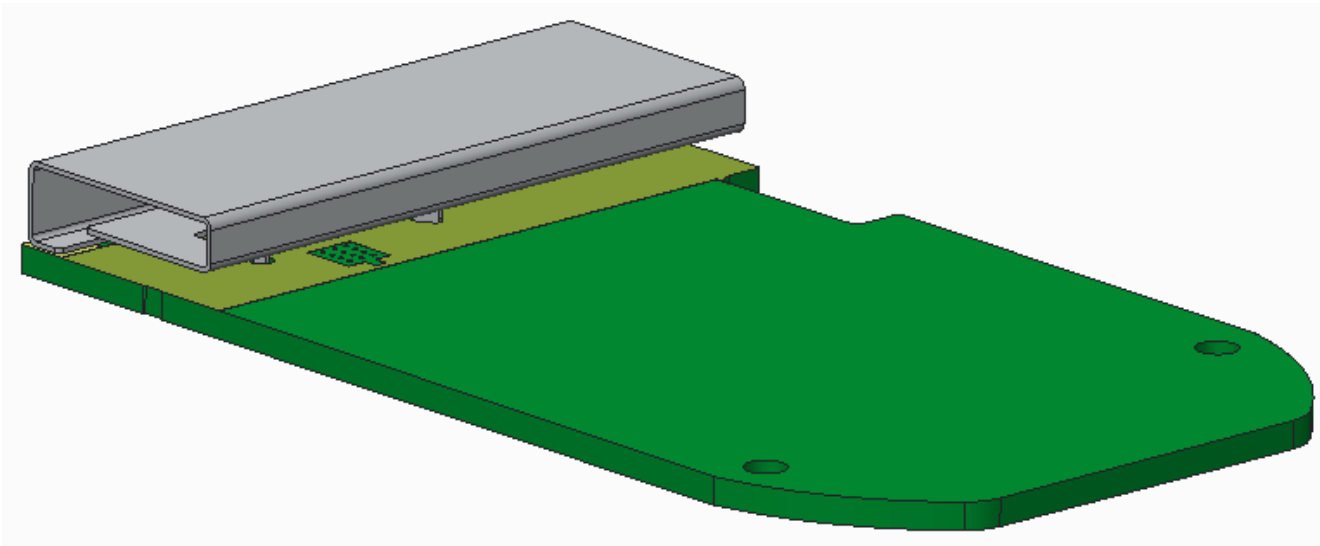
PART NUMBER: W3403

PACKAGING

Packing in C-tray: 365mm*275mm, 21pcs/tray

Trays in carton box: 570mm*375mm*200mm, 504pcs/carton box

ASSEMBLY



Preliminary

Issue: 1751P

In the effort to improve our products, we reserve the right to make changes judged to be necessary.

CONFIDENTIAL AND PROPRIETARY INFORMATION

This document contains confidential and proprietary information of Pulse Electronics, Inc. (Pulse) and is protected by copyright, trade secret and other state and federal laws. Its receipt or possession does not convey any rights to reproduce, disclose its contents, or to manufacture, use or sell anything it may describe. Reproduction, disclosure or use without specific written authorization of Pulse is strictly forbidden.