

Description

The BZ-H175S is an attractive, customer premise equipment (CPE) balun designed to expedite IPTV over DSL and Home Phone Line Networking (HPN) installations. The BZ-H175S gives the internet service providers the flexibility to utilize existing copper mediums by allowing the interconnection between coaxial and twisted pair cable. Our twisted pair to coaxial balun provides electromagnetic coupling of frequencies from 12MHz to 28MHz. The BZ-H175S also provides a low pass filter to connect POTS devices. Its low-pass filter design electronically isolates the high-speed DSL or HPN data stream from the voice-speed DSL or HPN data stream from the voice-band POTS equipment to provide premium voice quality and optimal data rates.



Twisted Pair to Coaxial Balun
The BZ-H175S balun provides a filtered RJ11 jack for connecting a POTS telephone device.

Features

- Matches balanced 100 Ω twisted pair cable to 75 Ω unbalanced coaxial cable
- Electromagnetic coupling of frequencies from 12MHz to 28MHz with minimal data loss
- Pass through RJ11 jack for phone line connection
- Attenuates DSL and HPN signals to telephone equipment with minimal degradation of voice band signals
- CE Mark certified
- RoHS compliant

Applications

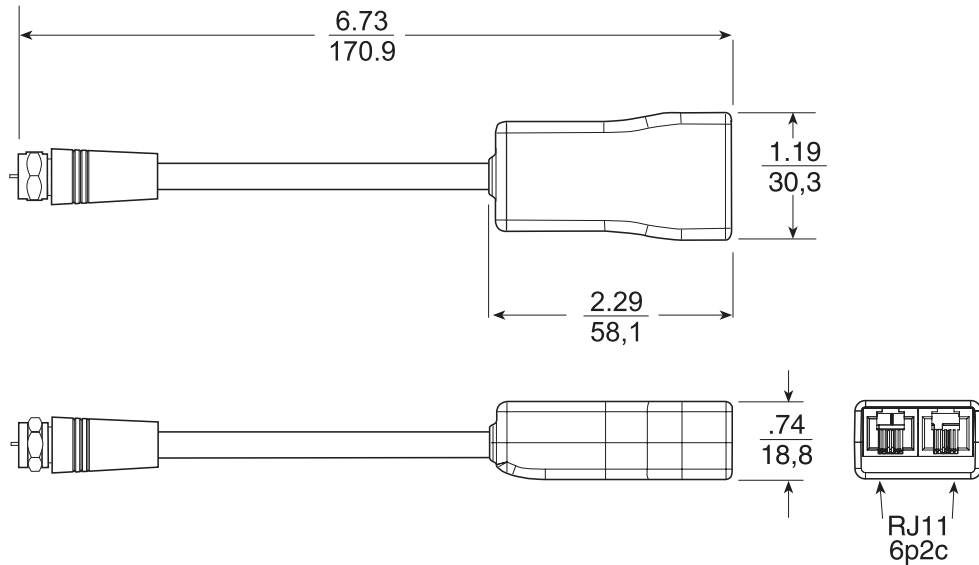
The xDSL user installs the BZ-H175S balun into a HPN set-top box, DSL Modem, or telephone jack where DSL or HPN service is active.

The BZ-H175S twisted pair to coaxial balun is one of many CPE devices manufactured by Excelsus, a brand of Pulse, for subscriber-installed digital services within homes, offices, and hotels. Excelsus is the number one selling brand of DSL filters worldwide.

BZ-H175S-56 (Twisted Pair to Coaxial Balun) Electrical Specifications

Parameter	Frequency	Performance
Insertion Loss	12MHz to 28MHz	1.5dB MAX
Return Loss	12MHz to 28MHz	10dB MIN
POTS Attenuation	600Hz to 4kHz	25dB MIN

Mechanical specifications



Schematic specifications

