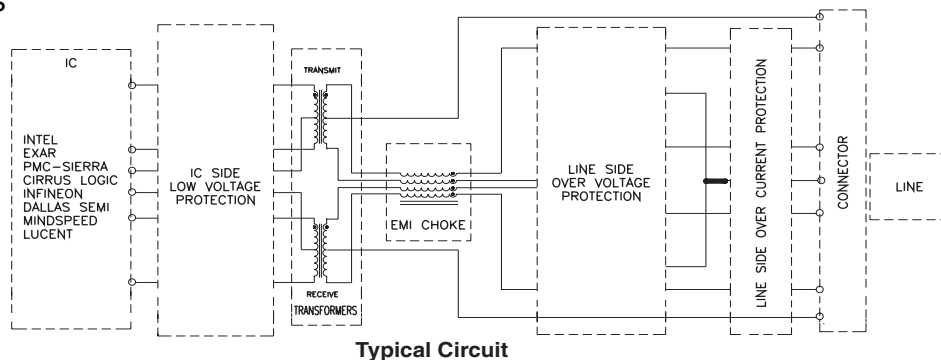


## Application

- CO Line Cards
- Concentrators
- Cross Connects
- WAN Access Equipment
- Base Stations
- CSU/DSU Equipment
- Remote Access Servers
- Bridges/Routers
- PBX Equipment
- Multiplexers

**Block Diagram of Typical Single Port DS1/T1/E1**



## T1/E1 Product Portfolio



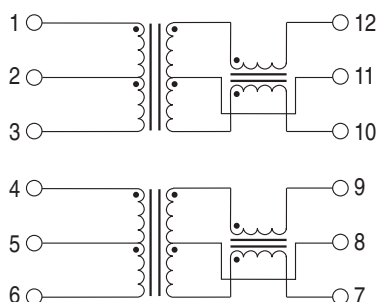
- Extensive catalog product selection
- Multiple SMT and THT transformer packages
  - Support single, dual and quad ports
- Endorsements from all the Silicon Vendors
  - PMC, Infineon, Exar, IDT, Maxim, Intel, and others
- Standard and extended temperature operation
- Basic and reinforced insulation
- Safety agencies approval
- Develop custom products for key customers

## Common Mode Chokes



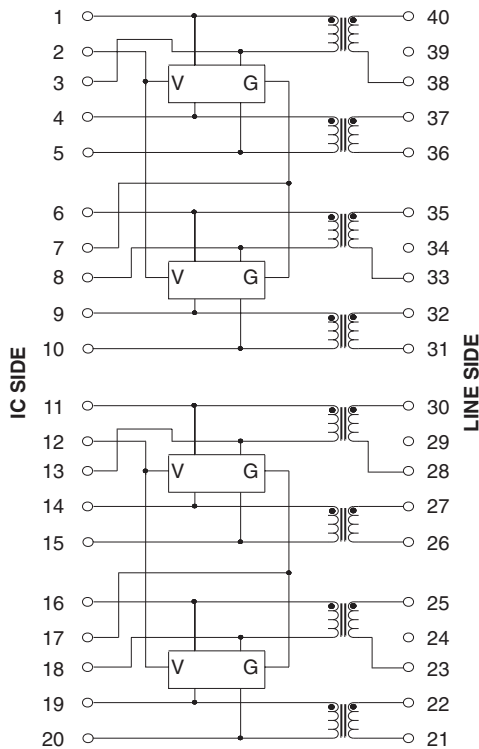
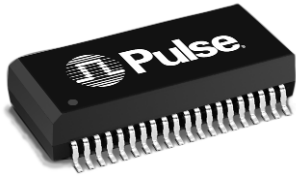
- Large selection of Common Mode Chokes
- Extensive catalog product selection of different common mode choke values and line configurations
- Ideal for reducing EMI emissions for any wireline application
- Excellent common mode attenuation from 100KHz to 1GHz
- Ability to develop custom CMC to help pass EMI








## Transformer/Choke Modules



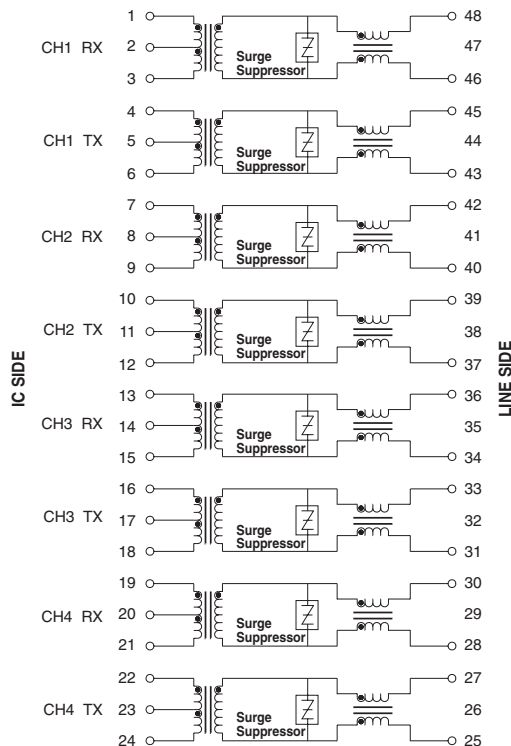
- Includes Common Mode Chokes for enhanced EMI performance
- Optimized board layout
- Single Port data sheet: T660
- Dual Port data sheet: T662
- Quad Port data sheet: T682








## Quad Port SMT Transformer Module with IC-Side Protection



-  Includes IC-side protection devices on each channel to suppress low transient voltage
-  Ideal for high density boards
-  Endorsed by IC vendors
-  T9021 data sheet: T657
-  TX9020 data sheet: T677
-  TX9023 data sheet: T674
-  Other models available; please contact Pulse

## Quad Port SMT Transformer Module with Line-side Protection



-  Includes over voltage protection for surge protection
-  Includes Common Mode Chokes for enhanced EMI performance
-  Endorsed by IC vendors
-  T9030 data sheet: T656
-  TX9031 data sheet: T670
-  TX9032 and TX9033: data sheet: T680
-  Other models available; please contact Pulse

Visit the Pulse Web site for the most current product information, as well as information about Pulse: [www.pulseeng.com](http://www.pulseeng.com) Search the Parts Index or use the Product Finder to locate components. Read technical papers, review the comprehensive list of industry links and download all current data sheets in Acrobat PDF format.

**Pulse Worldwide Headquarters**  
12220 World Trade Dr.  
San Diego, CA 92128  
U.S.A.  
[www.pulseeng.com](http://www.pulseeng.com)

**Pulse Europe**  
Einsteinstrasse 1  
D-71083 Herrenberg  
Germany

**Pulse China Headquarters**  
B402, Shenzhen  
Tech-Innovation International  
Tenth Kejian Rd.  
High-Tech Industrial Park  
Nanshan District, Shenzhen  
China

**Pulse North China**  
Room 1503  
XinYin Building  
No. 888 YiShan Rd.  
Shanghai 200233  
China

**Pulse South Asia**  
150 Kampong Ampat  
#07-01/02  
KA Centre  
Singapore 368324

**Pulse North Asia**  
No. 26  
Kao Ching Rd.  
Yang Mei Chen  
Tao Yuan Hsien  
Taiwan, R. O. C.

Tel: 858 674 8100  
Fax: 858 674 8262

Tel: 49 7032 7806 0  
Fax: 49 7032 7806 12

Tel: 86 755 33966678  
Fax: 86 755 33966700

Tel: 86 21 54643211/2  
Fax: 86 21 54643210

Tel: 65 6287 8998  
Fax: 65 6280 0080

Tel: 886 3 4641811  
Fax: 886 3 4641911

**T679.C (9/07)**

© Copyright 2007, Pulse Engineering, Inc.